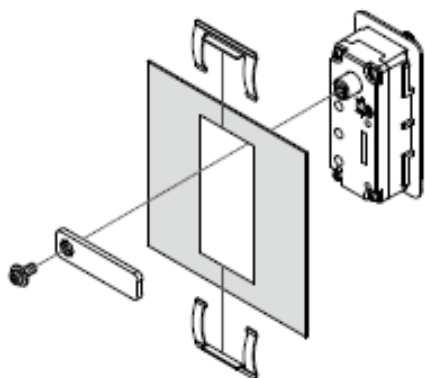
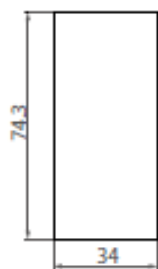


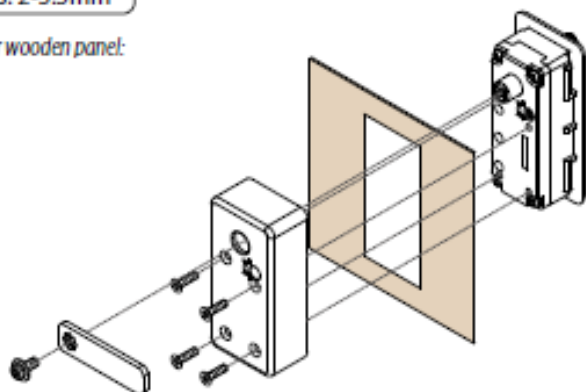
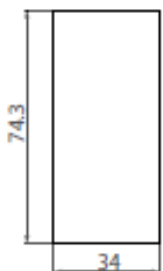
Panel thickness: 1mm

drilling template for metal panel:



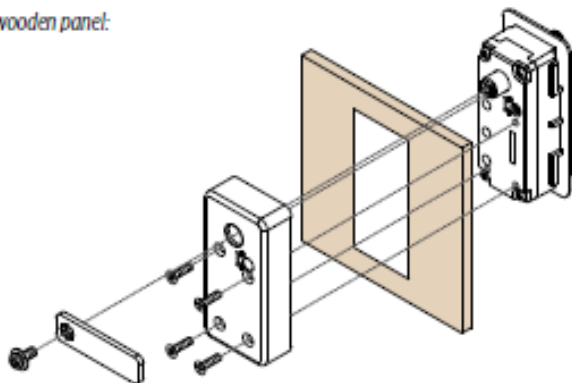
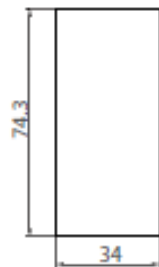
Panel thickness: 2-5.5mm

drilling template for wooden panel:



Panel thickness: 7-10.5mm

drilling template for wooden panel:



Panel thickness: 17-20.5mm

drilling template for wooden panel:

